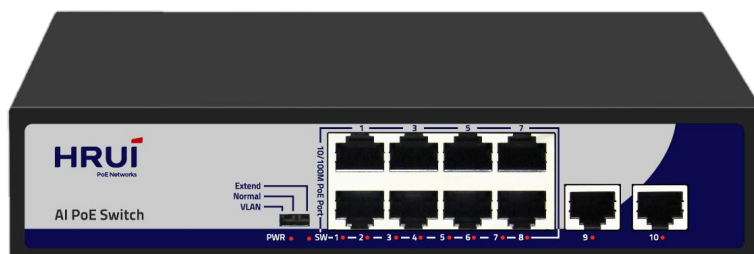


10-Ports 100M AI PoE Switch



www.hrutech.com



10-Ports 100M AI PoE Switch , using high-quality high-speed network IC and the most stable POE chip, POE port support 802.3af and 802.3at standard both, this series of POE switches can be 10/100M Ethernet The network provides a seamless connection, and the POE power port can automatically detect and power the powered devices that comply with the IEEE802.3af or IEEE802.3at standards. The non-POE device intelligently detects no power and only transmits data.

Main Features

- 8*10/100M POE ports + 2* 10/100M Ethernet Uplink ports
- Comply with IEEE 802.3/ IEEE 802.3u/IEEE 802.3x standards
- Ethernet port supports 10/100M adaptive
- Support port auto flip (Auto MDI/MDIX)
- Panel indicator monitoring status and help failure analysis
- Three-speed one-button intelligent dial switch with support for VLAN mode, Normal mode and Extend mode
- Support Watchdog Function
- Lightning Protection Surge: General Mode 6KV, Differential Mode 4KV, ESD 8KV.

Application Environment

Metro Optical Broadband Network:

Data network operators such as telecommunications, cable TV, and network system integration,etc.

Broadband private network:

Suitable for financial, government, oil, railway, electric power, public security, transportation, education and other industries

Multimedia transmission:

Integrated transmission of images, voice and data, suitable for remote teaching, conference TV, videophone and other applications

Real-time monitoring:

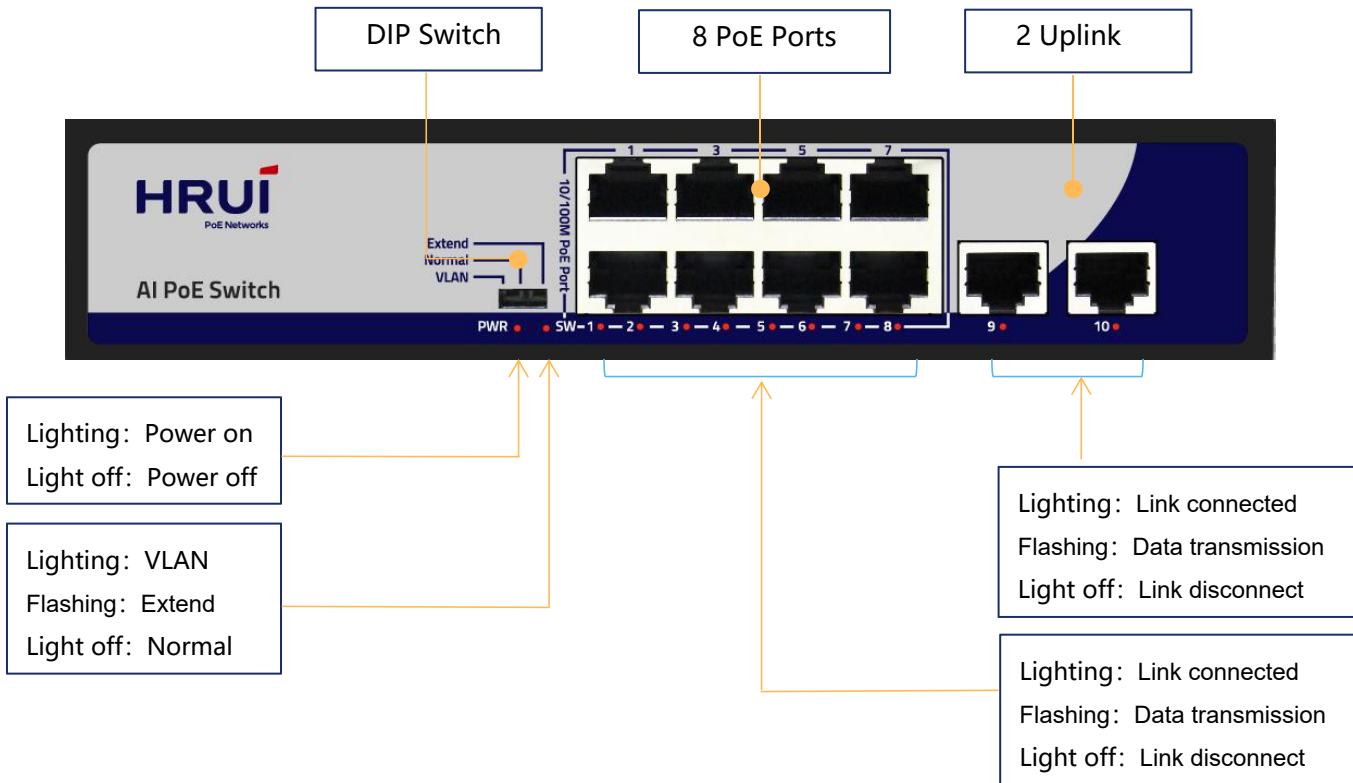
Simultaneous transmission of real-time control signals, images and data

Specifications	
I/O Interface	
Power	AC input (100-240 V)
Ethernet	8 Port 10/100M PoE 2 Port 10/100M Ethernet Uplink
Performance	
Switching Capacity	2Gbps
Throughput	1.488Mpps
Packet Buffer	448K
MAC Address	2K
Jumbo Frame	2048bytes
Transfer Mode	Store and forward
MTBF	100000 hour
Standard	
Network Protocol	IEEE802.3 (10Base-T) IEEE802.3u (100Base-TX) IEEE802.3x (Flow control)
PoE Protocol	IEEE802.3af (15.4W) IEEE802.3at (30W)
Industry Standard	EMI: FCC Part 15 CISPR (EN55032) class A EMS: EN61000-4-2 (ESD)、 EN61000-4-4 (EFT)、 IEN61000-4-5 (Surge)
Network Medium	10Base-T : Cat3,4,5 or above UTP(≤100m) 100Base-TX : Cat5 or above UTP(≤100m)
Protection	
Security Certificate	CE、FCC、RoHS

Environment	
Working Environment	Working Temperature: -10~50°C Storage Temperature: -40~85°C Working Humidity : 10%~90%, non-condensing Storage Temperature: 5%~95%, non-condensing Working Height: Maximum 10,000 feet Storage height: Maximum 10,000 feet
Mechanical	
Structure Size	Product Size: 200*118*44mm Package Size: 245*190*60mm Product Net-Weight: 0.6kg Product Gross-Weight: 0.9kg
Packing Info	MEAS: 505*320*400mm Packing Qty: 20 unit Packing weight: 19 KG
Power Voltage	Input Voltage: AC 100-240 V Output Voltage: 52V2.3A
Package List	Switch 1 pcs, Power cord 1 pcs, User manual 1 pcs, Certification 1 pc
Indication	
DIP Switch	<p>VLAN: Port isolation mode. In this mode, the PoE ports (1-8) of the switch cannot communicate with each other, and can only communicate with the UP-link port. The port AI mode is turned on</p> <p>Normal : Normal mode, all port can communicate with each other, the transmission distance is within 100 meters, the transmission rate is 10M / 100M adaptive; The port AI mode is closed</p> <p>Extend: Link extension mode, 1-8 ports PoE power supply and data transmission distance can be extended to 250 meters, the transmission rate becomes 10M, and the port AI mode is turned on</p>
LED Indicators	PWR、 SW、 1-10 Link&ACT

Ordering Info	
HR900-AF-82N	10-Ports 100M AI PoE Switch

Dimension



Application

